

63895-1 ✓ ACTIVE

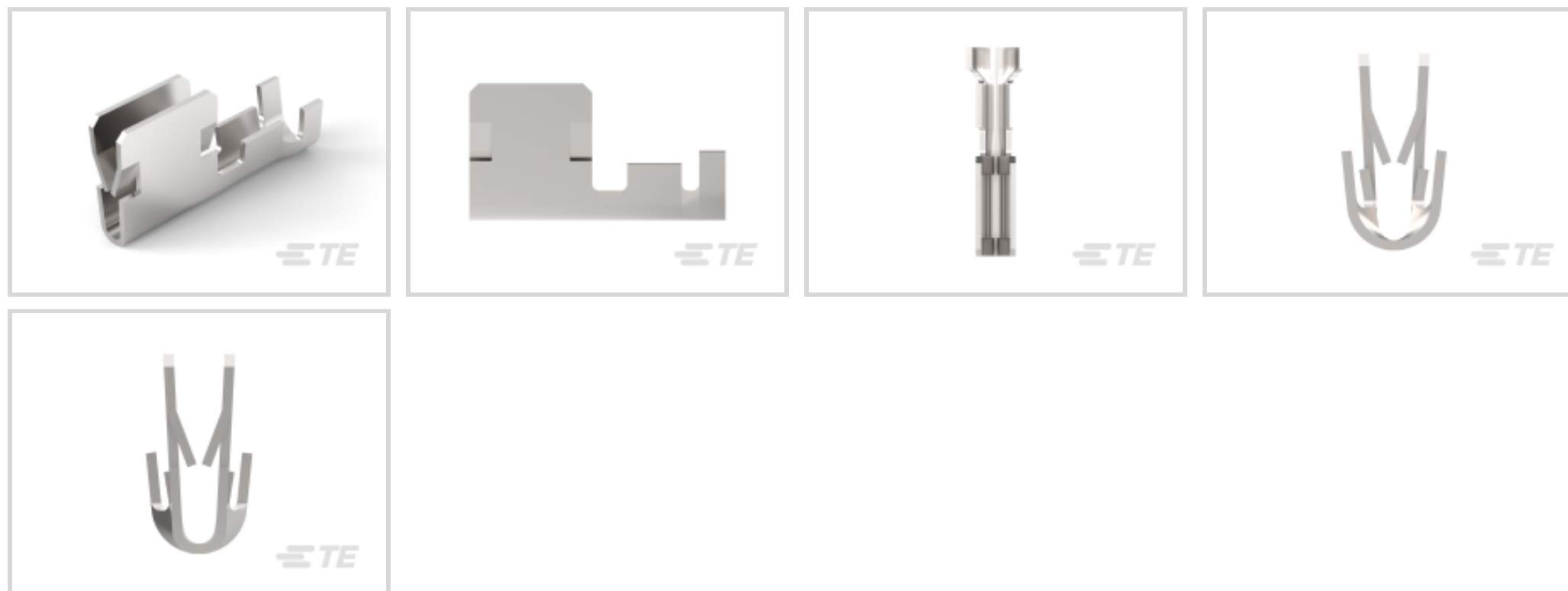
TE Internal #: 63895-1

Special Purpose Terminals, Grounding Clip, 18 – 14 AWG Wire Size, .8 – 2 mm² Wire Size, Unplated Plating, Length .73 in [18.54 mm], Reel

[View on TE.com >](#)



Terminals & Splices > Special Purpose Terminals



Special Purpose Terminal Type: **Grounding Clip**

Wire Size: **.8 – 2 mm²**

Terminal Plating Material: **Unplated**

Overall Product Length: **18.54 mm [.73 in]**

Features

Product Type Features

Wire/Cable Type	Discrete Wire
Sealable	No

Contact Features

Special Purpose Terminal Type	Grounding Clip
Terminal Plating Material	Unplated
Terminal Orientation	Straight

Mechanical Attachment

Wire Insulation Support	With
-------------------------	------

Dimensions

Wire Size	.8 – 2 mm ²
Overall Product Length	18.54 mm [.73 in]
Accepts Wire Insulation Diameter (Max)	3.17 mm [.125 in]
Accepts Wire Insulation Diameter Range	2.29 – 3.18 mm [.9 – .125 in]

Usage Conditions

Insulation Option	Uninsulated
-------------------	-------------

Packaging Features

Packaging Quantity	5000
Packaging Method	Reel

Product Compliance

[For compliance documentation, visit the product page on TE.com>](#)

EU RoHS Directive 2011/65/EU	Compliant
EU ELV Directive 2000/53/EC	Compliant
China RoHS 2 Directive MIIT Order No 32, 2016	No Restricted Materials Above Threshold
EU REACH Regulation (EC) No. 1907/2006	Current ECHA Candidate List: JUNE 2022 (224) Candidate List Declared Against: JUNE 2022 (224) Does not contain REACH SVHC
Halogen Content	Low Halogen - Br, Cl, F, I < 900 ppm per homogenous material. Also BFR/CFR/PVC Free
Solder Process Capability	Not applicable for solder process capability

Product Compliance Disclaimer

This information is provided based on reasonable inquiry of our suppliers and represents our current actual knowledge based on the information they provided. This information is subject to change. The part numbers that TE has identified as EU RoHS compliant have a maximum concentration of 0.1% by weight in homogenous materials for lead, hexavalent chromium, mercury, PBB, PBDE, DBP, BBP, DEHP, DIBP, and 0.01% for cadmium, or qualify for an exemption to these limits as defined in the Annexes of Directive 2011/65/EU (RoHS2). Finished electrical and electronic equipment products will be CE marked as required by Directive 2011/65/EU. Components may not be CE marked. Additionally, the part numbers that TE has identified as EU ELV compliant have a maximum concentration of 0.1% by weight in homogenous materials for lead, hexavalent chromium, and mercury, and 0.01% for cadmium, or qualify for an exemption to these limits as defined in the Annexes of Directive 2000/53/EC (ELV). Regarding the REACH Regulation, the information TE provides on SVHC in articles for this part number is based on the latest European Chemicals Agency (ECHA) 'Guidance on requirements for substances in articles' posted at this URL: <https://echa.europa.eu/guidance-documents/guidance-on-reach>

Compatible Parts





Documents

Product Drawings

GROUND CLIP 14-18AWG ST

English

CAD Files

3D PDF

3D

Customer View Model

[ENG_CVM_CVM_63895-1_H.2d_dxf.zip](#)

English

Customer View Model

[ENG_CVM_CVM_63895-1_H.3d_igs.zip](#)

English

Customer View Model

[ENG_CVM_CVM_63895-1_H.3d_stp.zip](#)

English

By downloading the CAD file I accept and agree to the [Terms and Conditions](#) of use.

Product Specifications

Application Specification

English

Product Environmental Compliance

[MD_63895-1_03052018432_dmtec](#)

English

[MD_63895-1_03052018432_dmtec](#)

English

Agency Approvals

UL

English